

TC-125 TIRE CUTTER

Easily handles your BIG tire problems!

The TC-125 will cut any tire with a rim diameter of 23.5 to 25 inches. Construction tires and rear farm tires up to 52 inches in diameter can be cut with complete safety.

This heavy duty tire cutter, weighing at 5,800 lbs., is specifically designed to aid in difficult large tire disposal. Unique design features allow operator safety and ease of operation. TC-125 is powered by a 35hp Kabota diesel.



LITERATURE • VIDEOS • SUPPLIES • PARTS • TECH SUPPORT
SEE THE VIDEO
www.tsissg.com
PRICING • INSTRUCTION

800.223.4540

3451 South 40th Street Phoenix, Arizona 85040

Arizona 602.437.5020 • tax 602.437.5025 • www.tsissg.com • info@tsissg.com

TSI
TIRE SERVICE EQUIPMENT
MFG. CO. INC.

TC-125 TIRE CUTTER

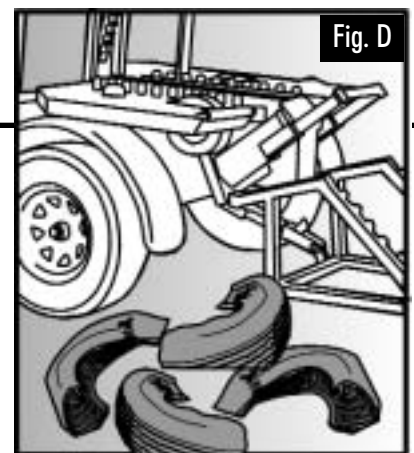
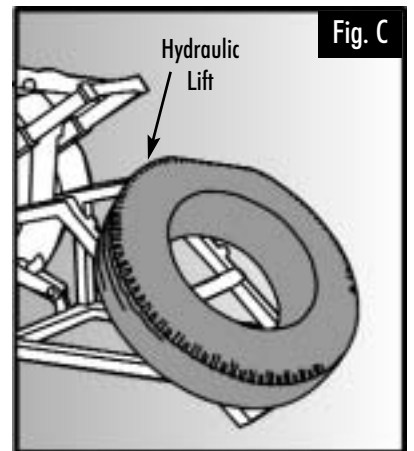
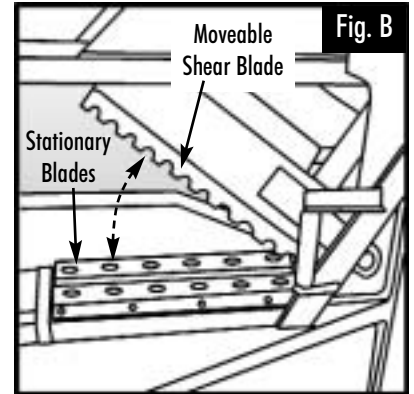
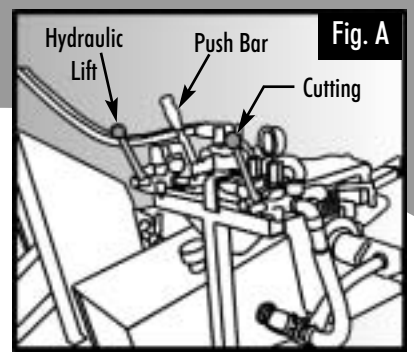


3-handle operation allows simple control of all functions. Operator can complete cutting process at one station with clear working view (see Fig. A).

Large, heavy-duty shear blade cuts through any large tire up to 52" diameter (see Fig. B). Rollers in cutting table help move the tire for additional cutting.

Fig. C illustrates how heavy, large agricultural or construction tires are easily lifted to the cutting table by the hydraulic lift function. A single handle control from the operator station makes this difficult action easy.

Tires cut into much smaller pieces make their storage, transport and disposal more efficient and economical (see Fig. D)



ADVANTAGES OF BIAS CUTTING SCRAP TIRES

- Tires can be stacked within each other (nested). Reduces tire volume 60%.
- Reduces transportation costs substantially. Transport a more dense and solid load of tires.
- Tires no longer hold water. Eliminates a common breeding ground for mosquitoes.
- Reduces regulatory problems concerning tires.

SPECIFICATIONS

MODEL NO. & PRODUCT DESCRIPTION	HEIGHT	LENGTH	WIDTH	WEIGHT
TC-125 TIRE CUTTER	12'6"	7'8"	70"	5800 lbs.

800.223.4540

3451 South 40th Street • Phoenix, Arizona 85040-1905
 Arizona 602.437.5020 • fax 602.437.5025 • www.tsissg.com
info@tsissg.com



TIRE SERVICE EQUIPMENT
 MFG. CO. INC.